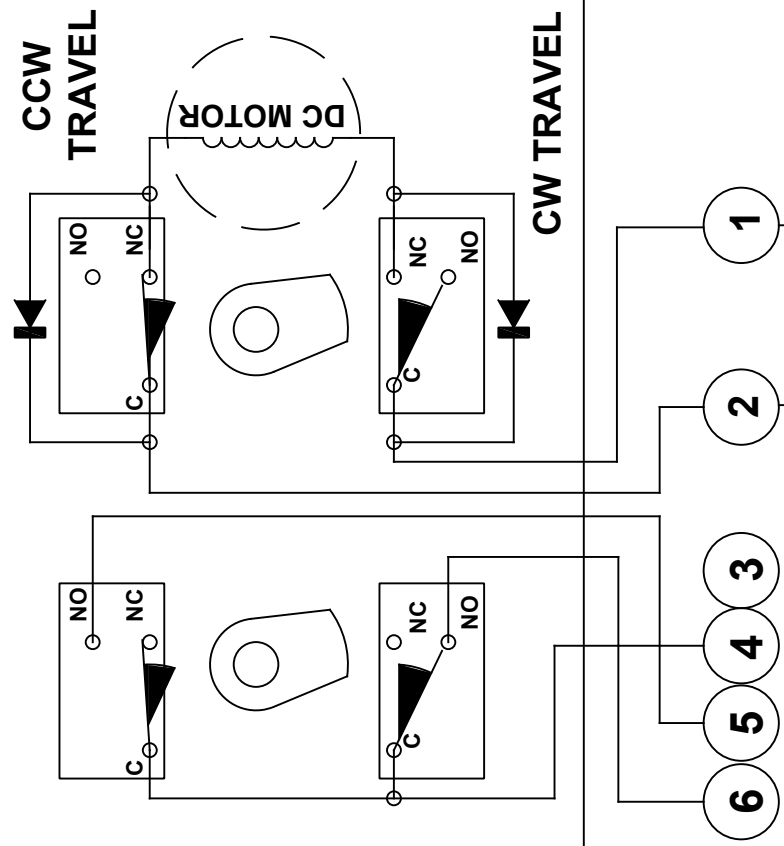


LIMIT SWITCH CONTACT DEVELOPMENT

VALVE POSITION	LIMIT SWITCH CONTACT
FULL CW	CLOSED CONTACT
FULL CCW	OPEN CONTACT
CCW TRAVEL	SPARE
CW TRAVEL	SPARE

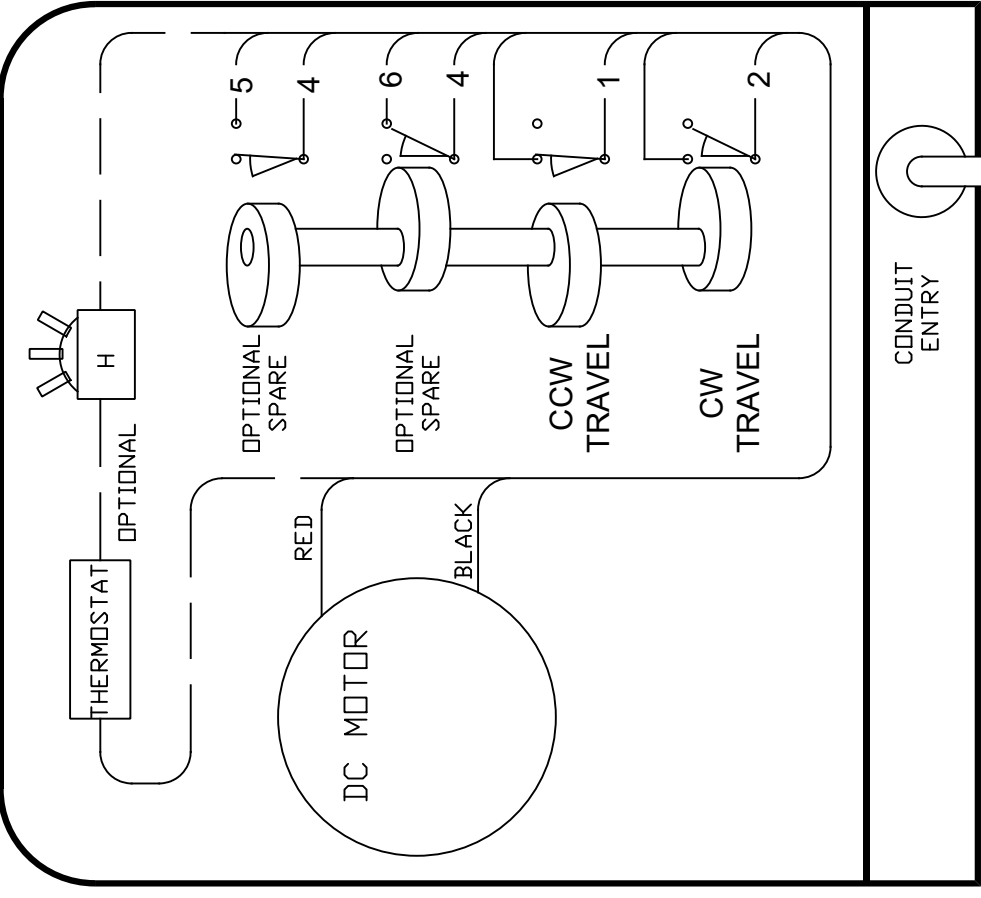
SCHMATIC



INTERNAL WIRING

EXT.

PHYSICAL ARRANGEMENT



- 1 RED MOTOR
- 2 BLACK MOTOR
- 3 COMMON
- 4 COMMON
- 5 OPEN
- 6 CLOSE